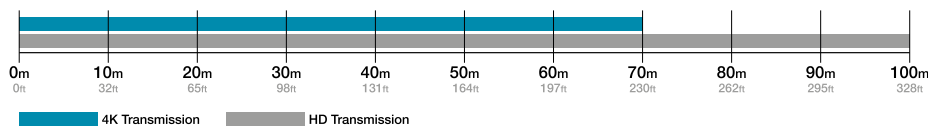


NETVIO

SIMPLIFYING COMPLEXITY

EX-HT2-701-10 70m 4K/60 HDR HDBaseT Extender



70m 4K HDR

LATEST 4K MEDIA

Delivering 4K/60 HDR across Cat5e/6 with 70m support. If media demands exceed 10.2Gbps then seamless compression is added.

ARC

HDMI OR S/PDIF

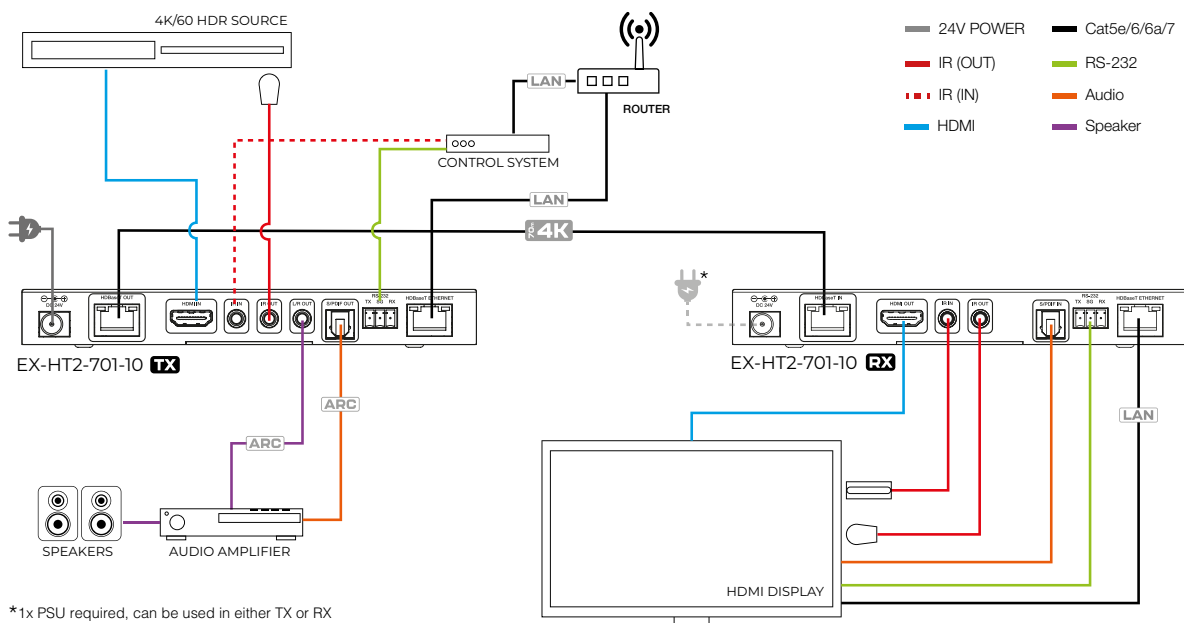
Capture ARC from either embedded HDMI or S/PDIF. TX device provides ability to select audio from display HDMI, S/PDIF or TX audio. Easy connection to audio system.

ETHERNET

SMART TV WIRELESS

Using the same single category cable as AV functionality, 100BaseT Ethernet is a perfect network connection smart TVs, IP control or adding a wireless access point.

BASIC WIRING DIAGRAM



SPECIFICATION

VIDEO

Encoding Data Rate

HDBaseT: Max 10.2Gbps subject to variable stream compression and up-conversion.

Max Video Transmission

3840x2160 60fps 4:4:4 8b

HDBaseT

HDBaseT (10.2Gb) @ 70m 4K/60 HDR | 100m/1080p.

HDMI

Supporting HDMI 2.0b resolutions including 3840x2160 60fps HDR.

Max Pixel Clock

600MHz / 600Mcsc

HDR Compatibility

HDR10, HDR10+, Hybrid Log-Gamma, Dolby Vision

HDCP

Inclusive up to 2.2

AUDIO

Audio Formats:

LPCM 2ch, LPCM 5.1, LPCM 7.1, Dolby Digital, Dolby Digital Plus, Dolby TrueHD, DTS, DTS Master

Audio Return Channel:

ARC capture from embedded HDMI subject to display capability.

1no. (RX) S/PDIF display audio input (supporting LPCM and proprietary bitstreams) audio via female optical TosLink socket.

Audio Outputs (TX):

1no. S/PDIF output (supporting LPCM and proprietary bitstreams) audio via female optical TosLink socket for direct audio system connection.

1no 3.5mm jack socket line level audio output for direct audio system connection.

COMMUNICATION & CONTROL

HDMI:

CEC, DDC

HDBaseT:

Supports CEC, DDC, 100BaseT Ethernet, RS-232 TXD, RXD and Infrared

RS-232:

Direct RS-232 Serial interface (3-pin) via Phoenix-style, 3.5mm pitch male receptacle.

IR:

Bi-directional Infrared, TX > RX, RX > TX via 3.5mm jack socket (*see below for wiring schematic*)

LAN:

1x IEEE 802.3u 100BaseT Ethernet interface via "RJ45" socket.

EDID:

Automatic | HDMI copy from RX to TX.

ARC:

TX toggle switch for audio source selection: Display HDMI, display S/PDIF, TX de-embed.

ENVIRONMENT

STORAGE:

-20°C / +60°C | 20% - 90% RH

OPERATING:

0°C / +40°C | 20% - 90% RH

OTHER INFORMATION

Power Supply:

24v External PSU supporting power-over-cable (PoC). PSU can be connected to either TX or RX.

Weights & Dimensions (per device):

Height: 20mm

Width: 165mm

Depth: 88mm

Weight: 170g

In the Box:

Mounting brackets

IR Accessories

Phoenix connectors

24v PSU

Regulations

CE, UKCA, FCC, RoSH

Warranty

5-Year standard warranty